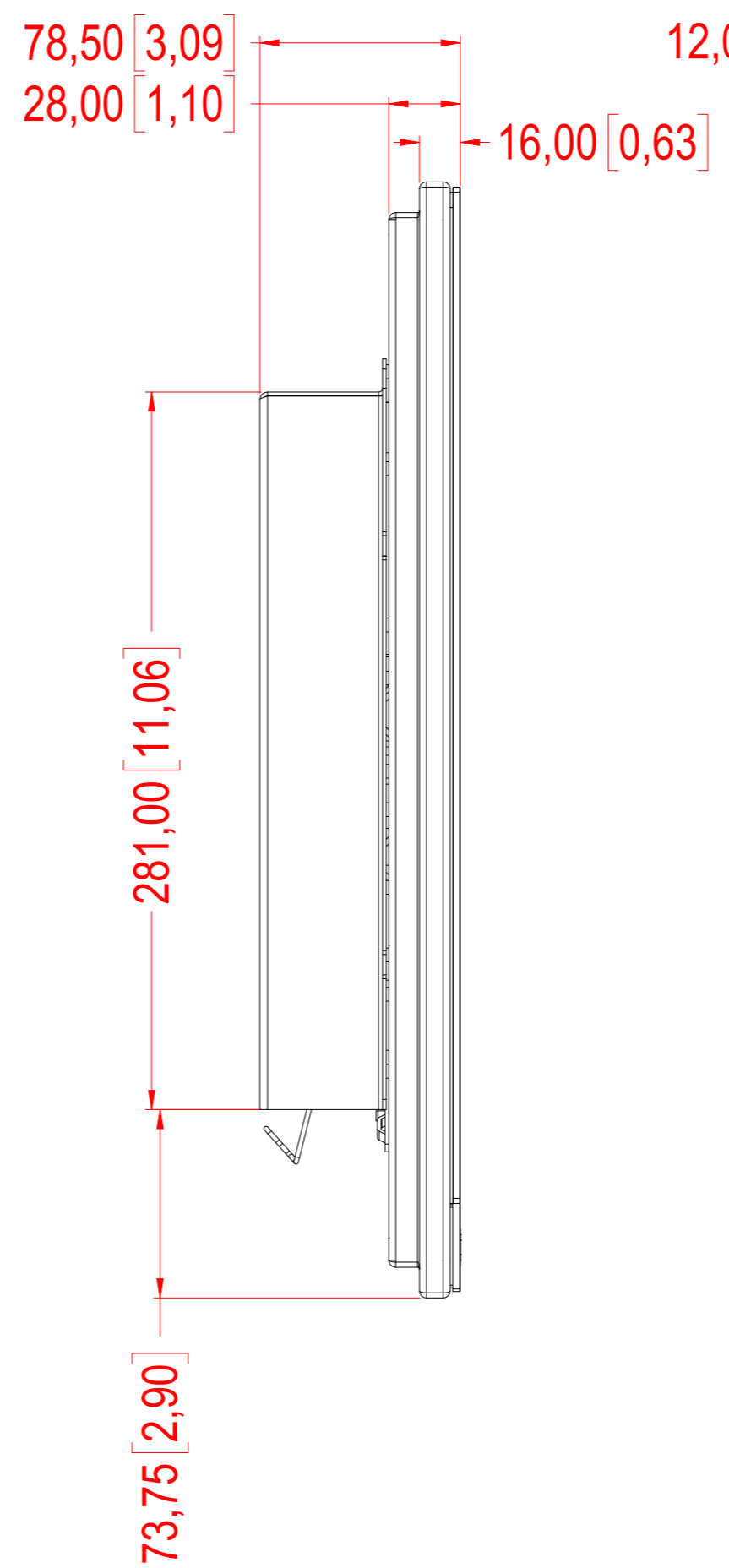


This document is the property of Hatteland Technology AS.  
 This document and any authorized reproduction thereof must not be used in  
 any way against the interest of Hatteland Technology AS.  
 Any authorized reproduction, in whole or in part, must include this legend.

### FRONT VIEW

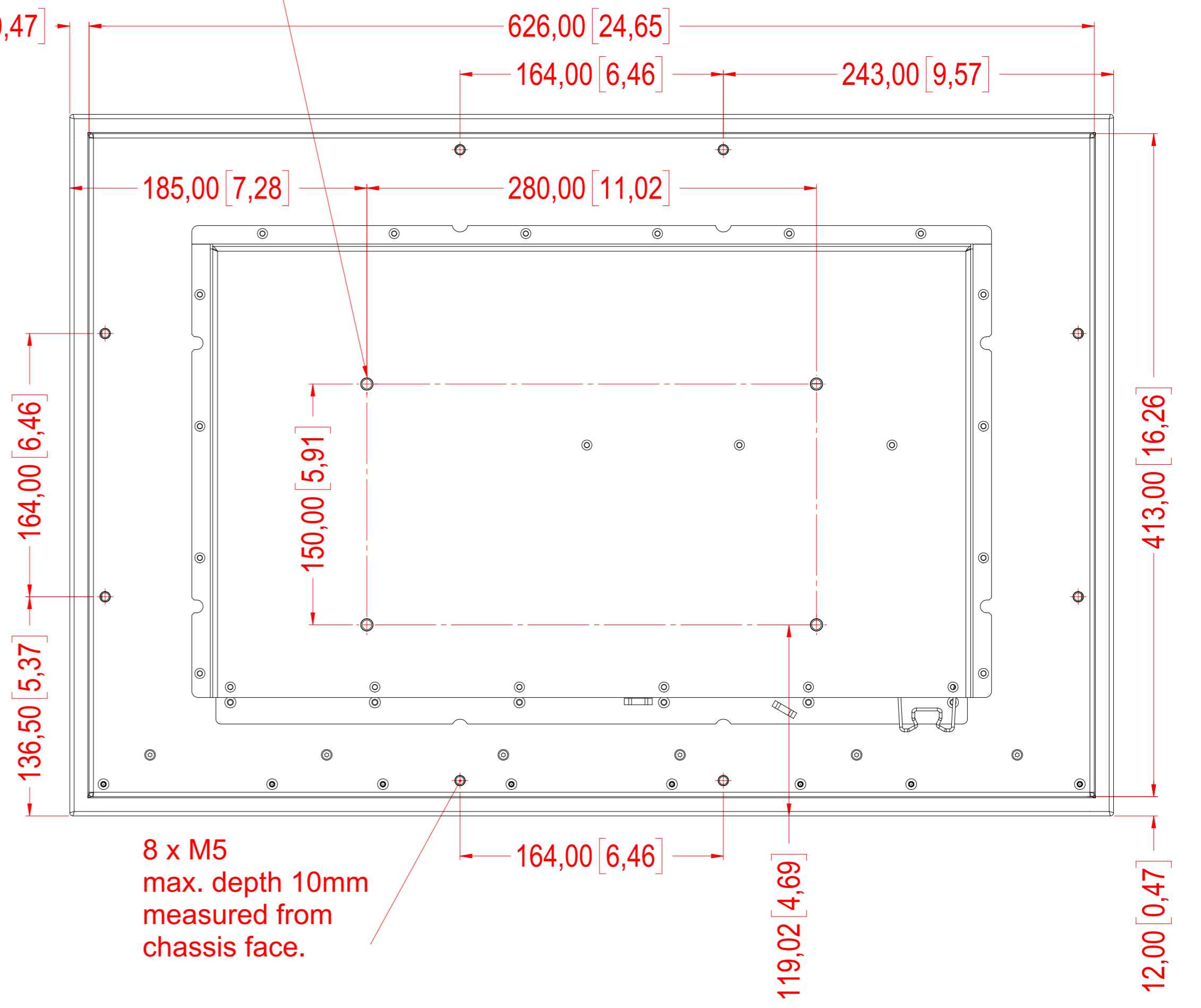


### SIDE VIEW

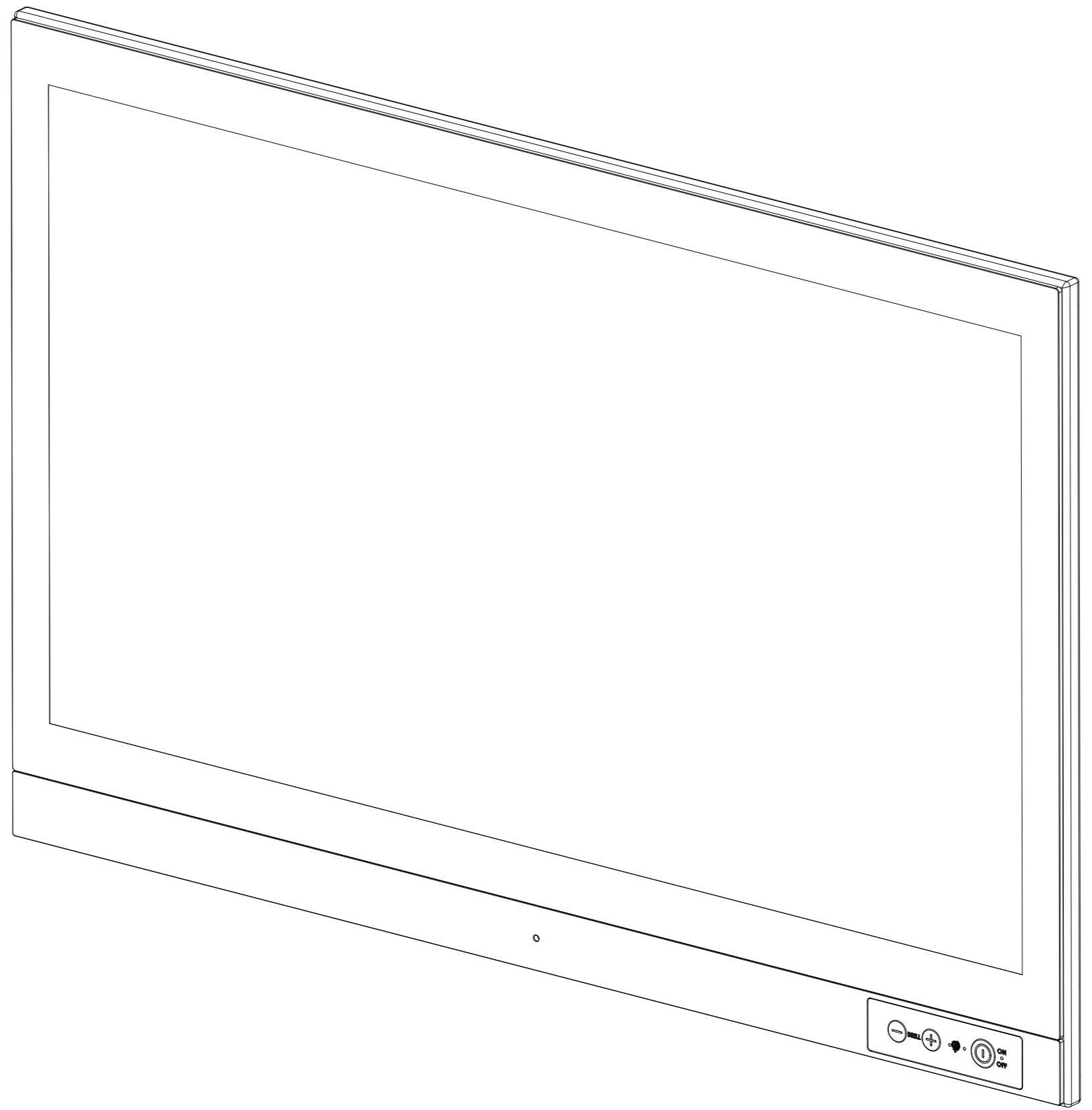


4 x M6  
 max. depth 10mm  
 measured from cover face.

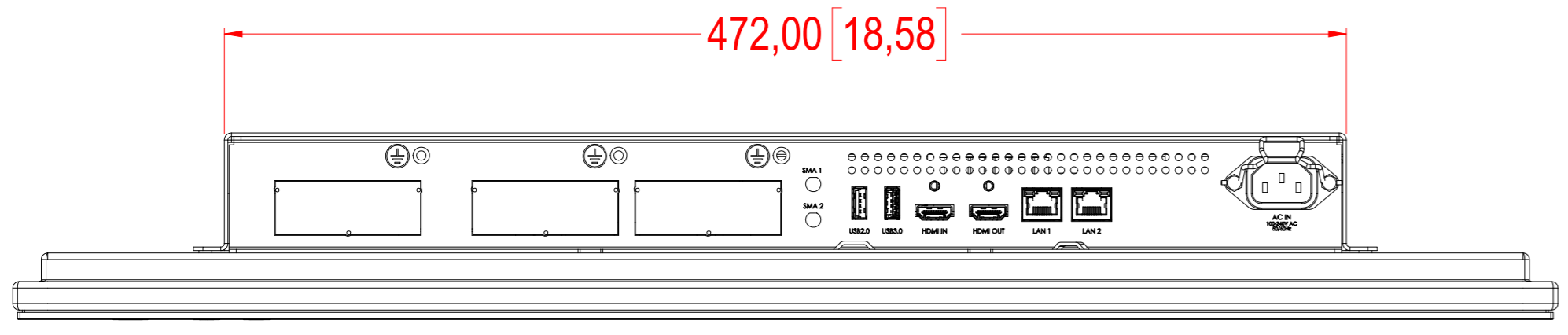
### BACK VIEW



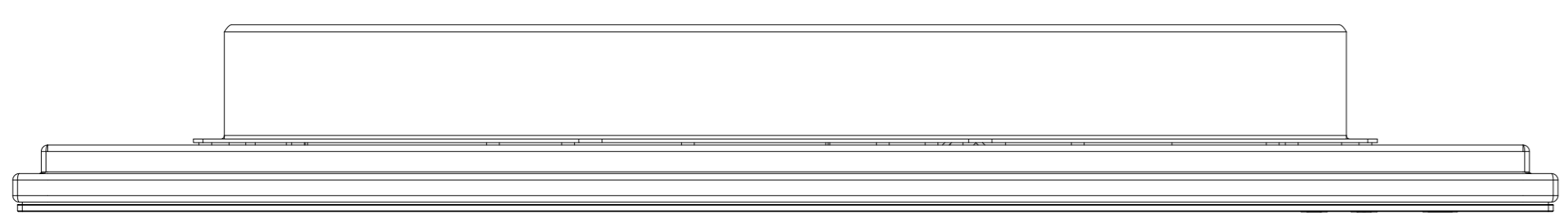
### ISOMETRIC VIEW



### BOTTOM VIEW



### TOP VIEW



639,00 [25,16] Series X G2  
 629,00 [24,76] Recommended

### PANEL CUTOUT

426,00 [16,77] Series X G2  
 416,00 [16,38]  
 Recommended

Units: mm [inches]

**SALES DRAWING HD 27T30 MPA-A0A-0NPJNI**  
 shown in this drawing, but measurements generally apply for all HD 27T30 MxA-xxx-xxxxxx models

Creation date / by:	/	Projection:	A1	<b>HATTELAND TECHNOLOGY</b> an EMBRON Company	
Last rev. date / by:	/		Scale: 1:2	Approved by:	Revision: 01
Hatteland Technology AS Eikeskogvegen 52 N-5570 Akedal			Tolerance ISO 2768-mK	Drawing number: <b>A011896</b>	